

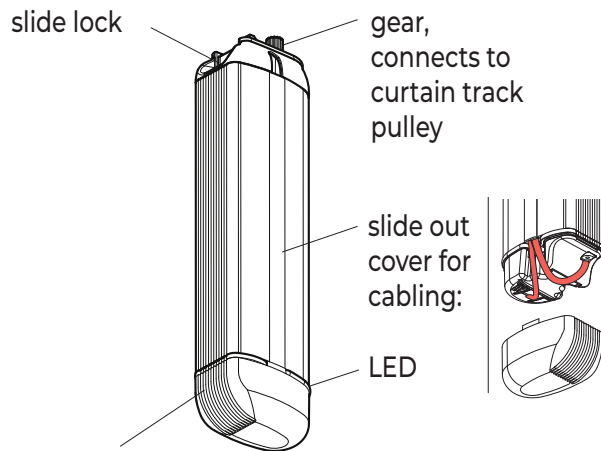


Powered by GOELST.

Please first read this manual carefully.

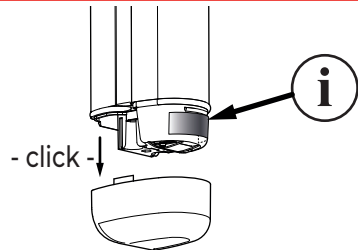
front side - Installing a G-Motion motor unit on a Qurails 6200 curtain rail system.
back side - Setting end positions.

1 Overview components



cover : remove to access connector-area and basic controlling buttons

2 Identification motor type

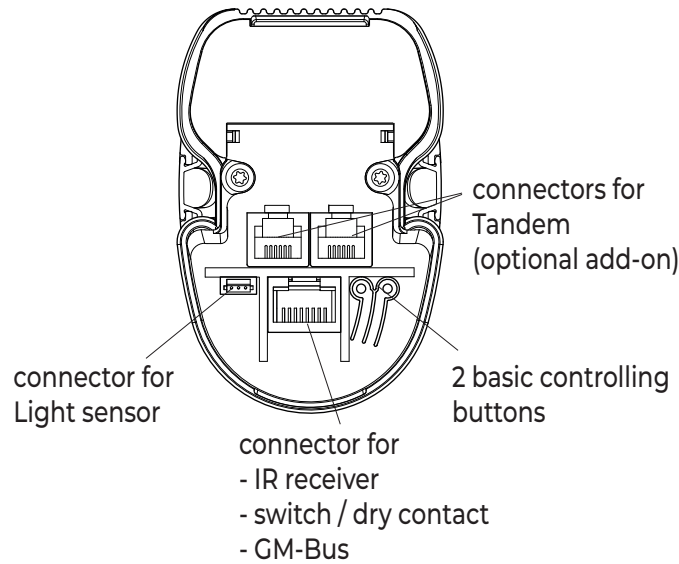


(example)

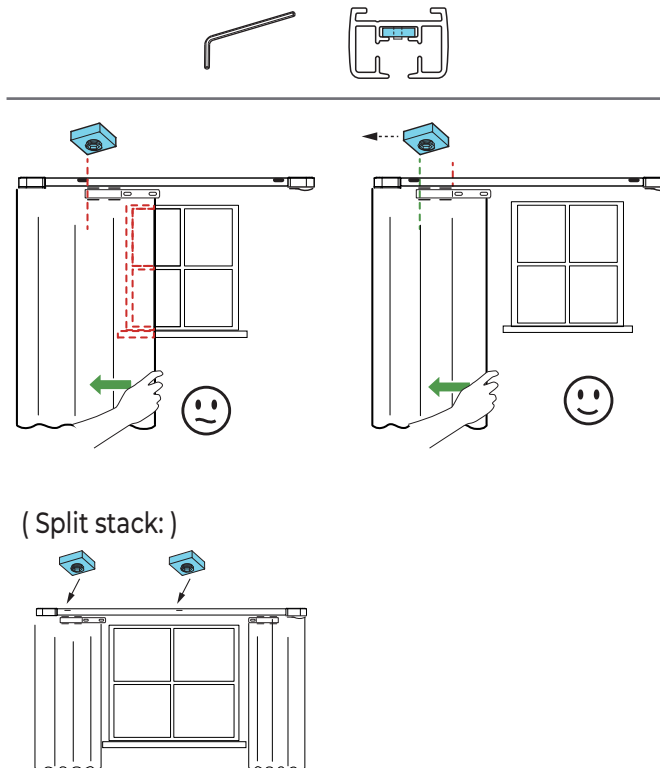
"4" ✓ "6" ✓

"1" ✗ NO auto calibration, see other Quickmanual GM1

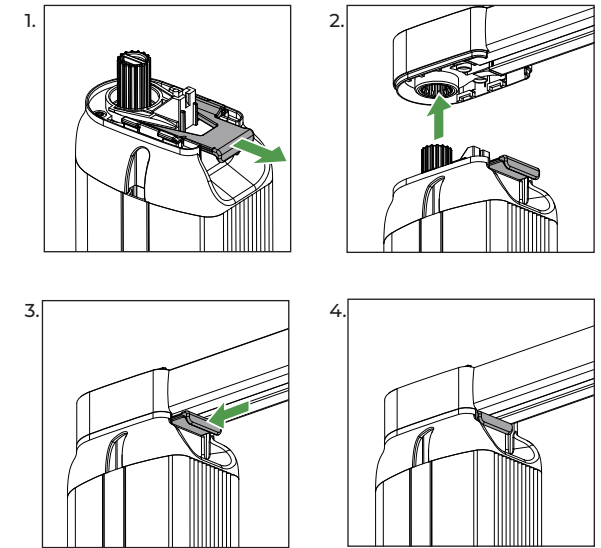
3 Connector area



4 Adjust blocking positions (If needed)

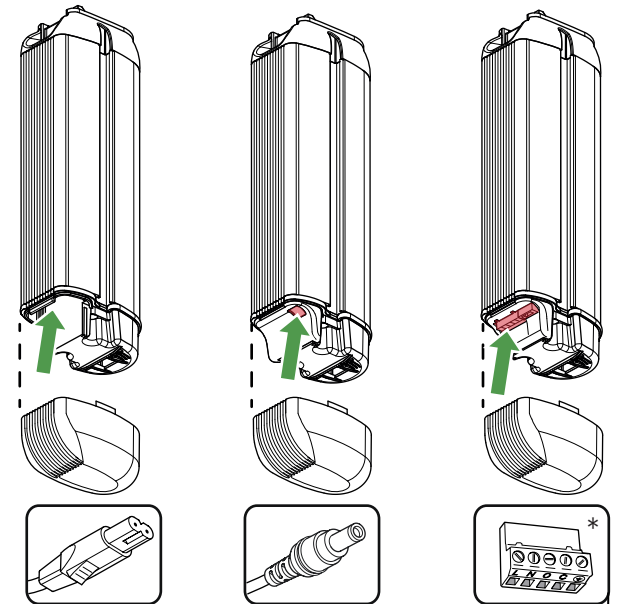


5 Mounting motor unit



6 Powering

⚠ First use: if NOT mounted on a 6200 rail system, the motor unit will run in one direction only.

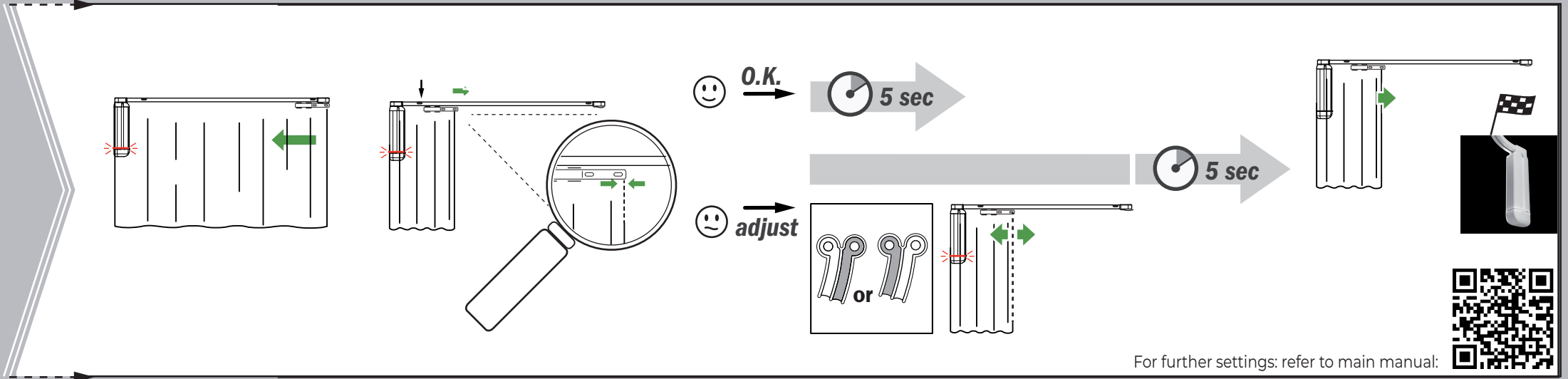
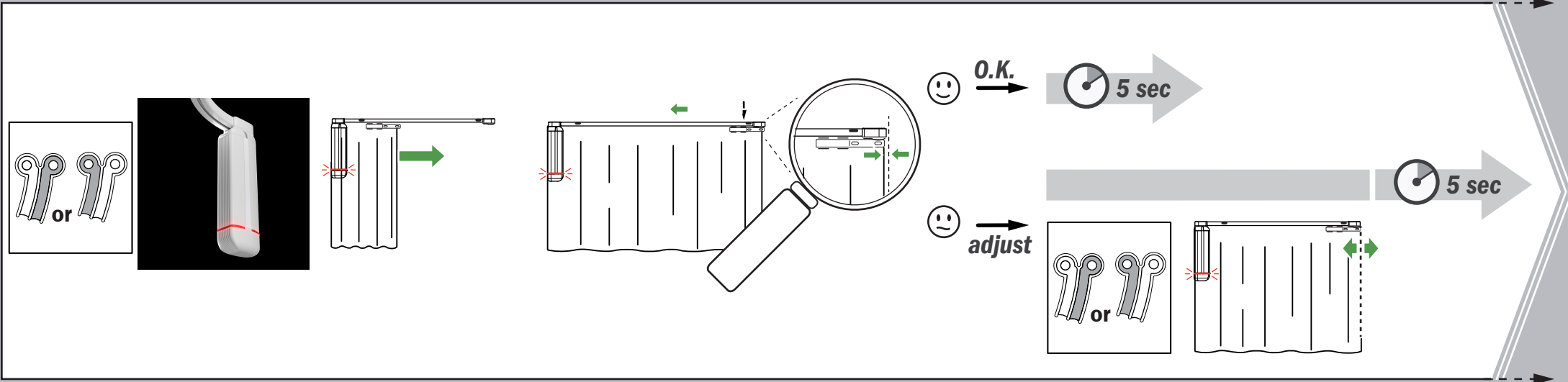
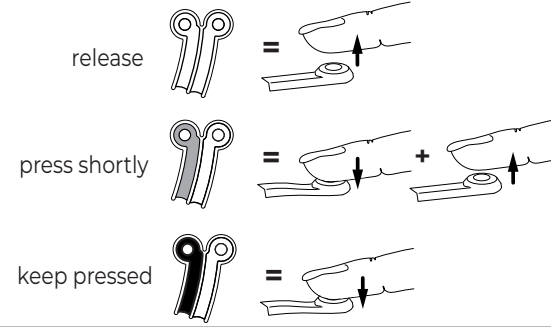
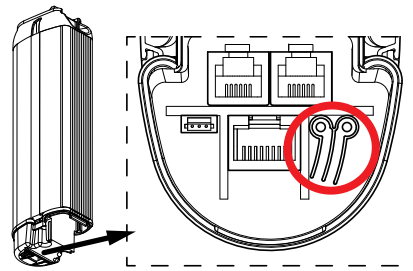


* calibration only with 4 or 5 core wiring AND 'L' connected, or with special calibration cable

Button instruction:



First use: if NOT mounted on a 6200 rail system while setting end positions, the motor unit will run in one direction only.



For further settings: refer to main manual:

